

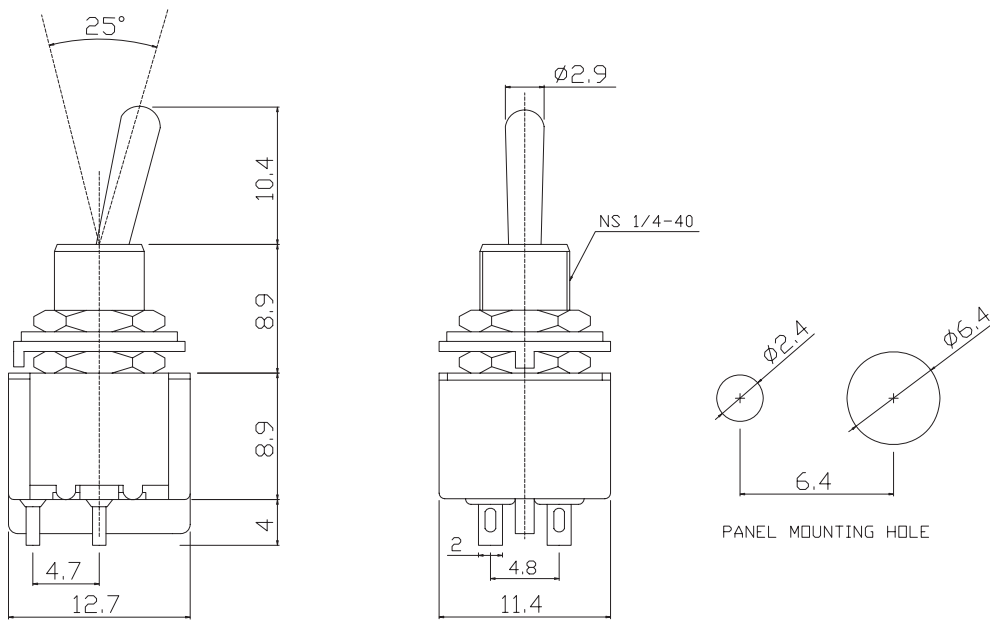
Switch

Toggle Switch Series

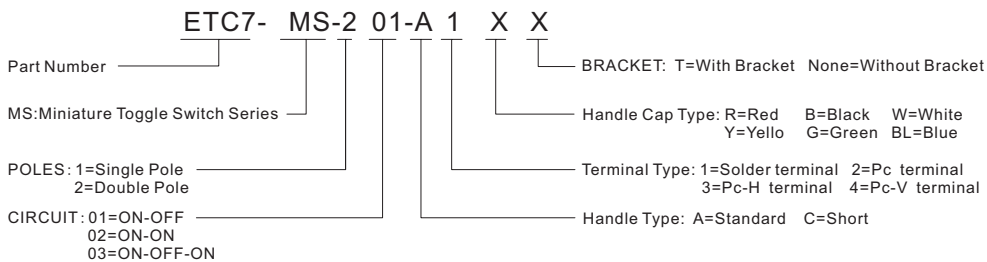
ETC7-MS-201-A1 Miniature Toggle Switch Series

SPECIFICATIONS

- Rating: 5A 125VAC; 2A 250VAC
- Contact Resistance: 20MΩ max
- Insulation Resistance: 500V DC 1000MΩ Min
- Dielectric Strength: 1500V AC 1 Minute
- Operating Temperature: -55°C~+85°C
- Electrical Life :20,000 cycles



ORDER INFORMATION



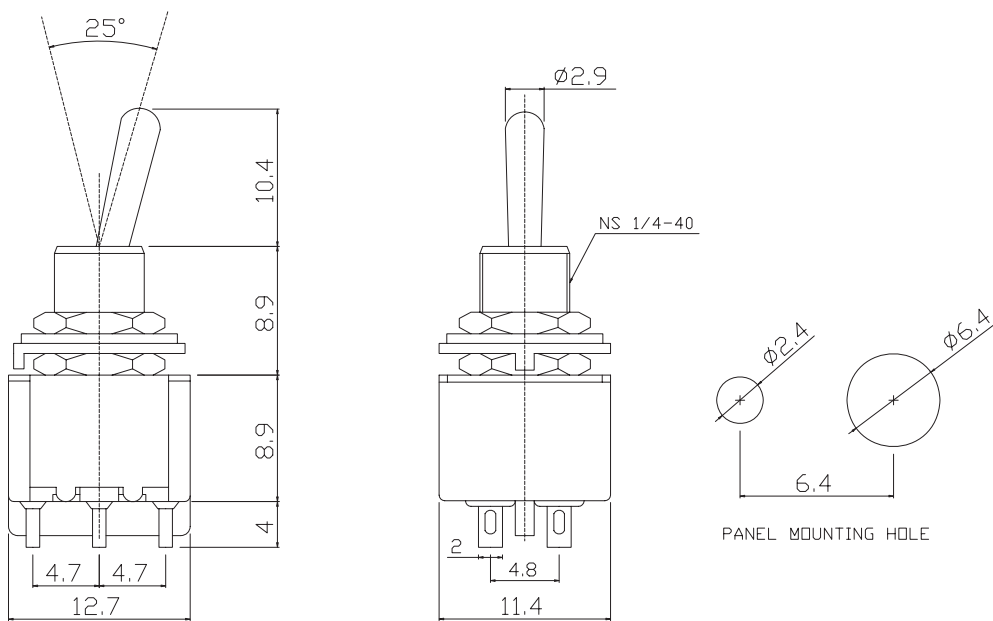
Switch

Toggle Switch Series

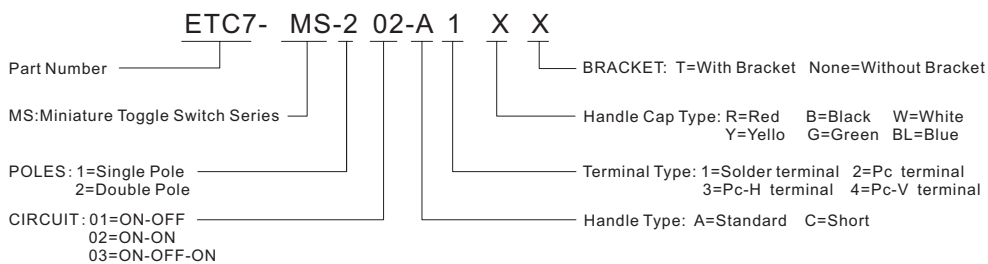
ETC7-MS-202-A1 Miniature Toggle Switch Series

SPECIFICATIONS

- Rating: 5A 125VAC; 2A 250VAC
- Contact Resistance: 20MΩ max
- Insulation Resistance: 500V DC 1000MΩ Min
- Dielectric Strength: 1500V AC 1 Minute
- Operating Temperature: -55°C~+85°C
- Electrical Life :20,000 cycles



ORDER INFORMATION



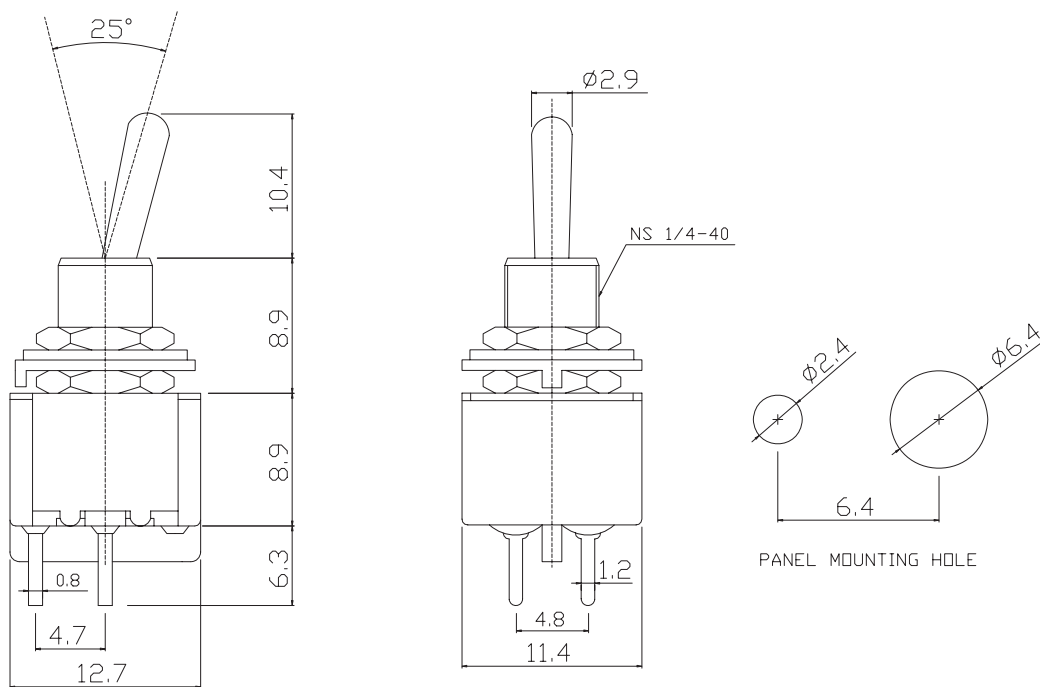
Switch

Toggle Switch Series

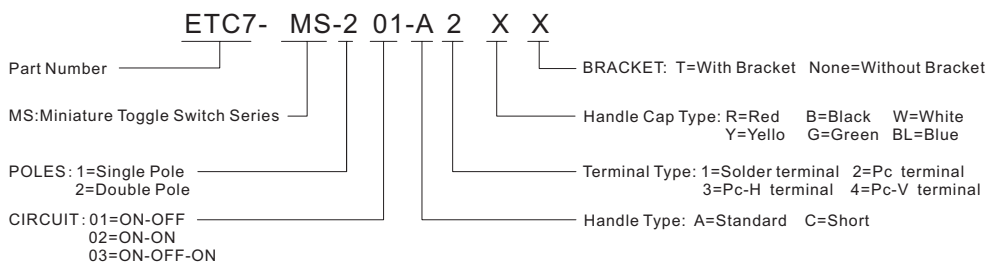
ETC7-MS-201-A2 Miniature Toggle Switch Series

SPECIFICATIONS

Rating: 5A 125VAC; 2A 250VAC
 Contact Resistance: 20MΩ max
 Insulation Resistance: 500V DC 1000MΩ Min
 Dielectric Strength: 1500V AC 1 Minute
 Operating Temperature: -55°C~+85°C
 Electrical Life :20,000 cycles



ORDER INFORMATION



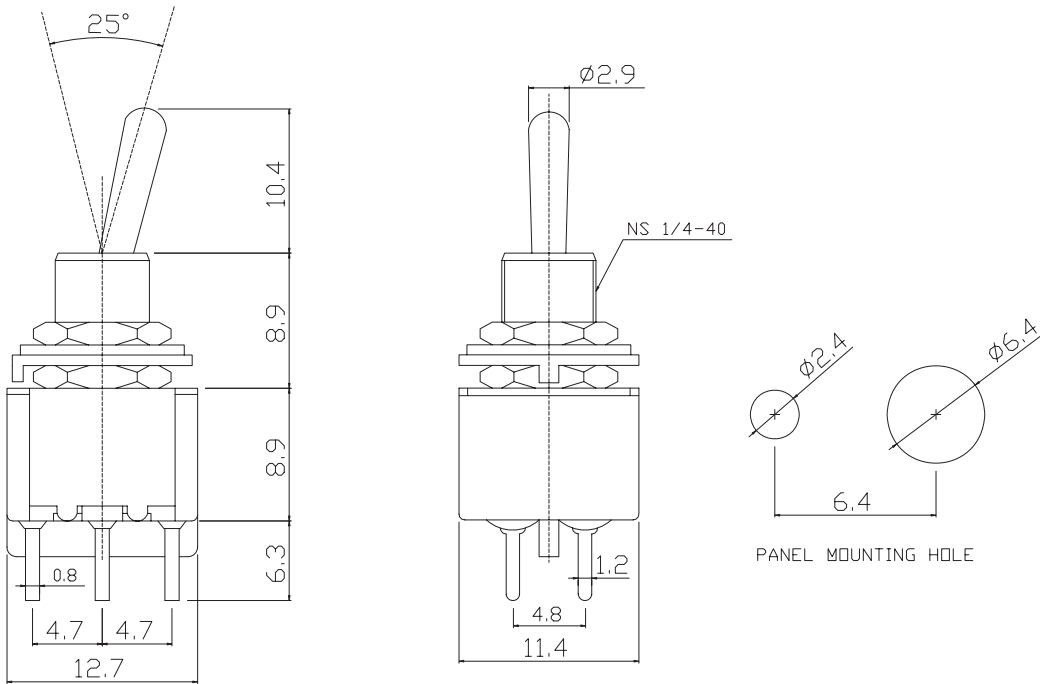
Switch

Toggle Switch Series

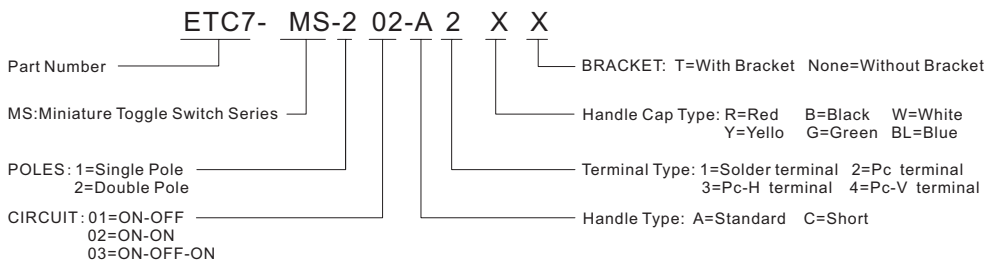
ETC7-MS-202-A2 Miniature Toggle Switch Series

SPECIFICATIONS

- Rating: 5A 125VAC; 2A 250VAC
- Contact Resistance: 20MΩ max
- Insulation Resistance: 500V DC 1000MΩ Min
- Dielectric Strength: 1500V AC 1 Minute
- Operating Temperature: -55°C~+85°C
- Electrical Life :20,000 cycles



ORDER INFORMATION



All specification & dimensions are subject to change, please call your nearest ETC sales representative for update information